

### ■ Features:

- Output constant current
- Range 100-265VAC
- Built-in active PFC function
- Efficiency 86% Max
- Protections: short circuit/over load/ over current/
- Cooling by free air convection
- IP20 design for indoor installation .
- Dimming function: Built in DALI interface dimming function conform to DALI Protocol IEC62386
- Dimming range from 0.1% to 100%
- Suitable for intelligent LED lighting
- Compliance to worldwide safety regulations for lighting
- Suitable for dry locations

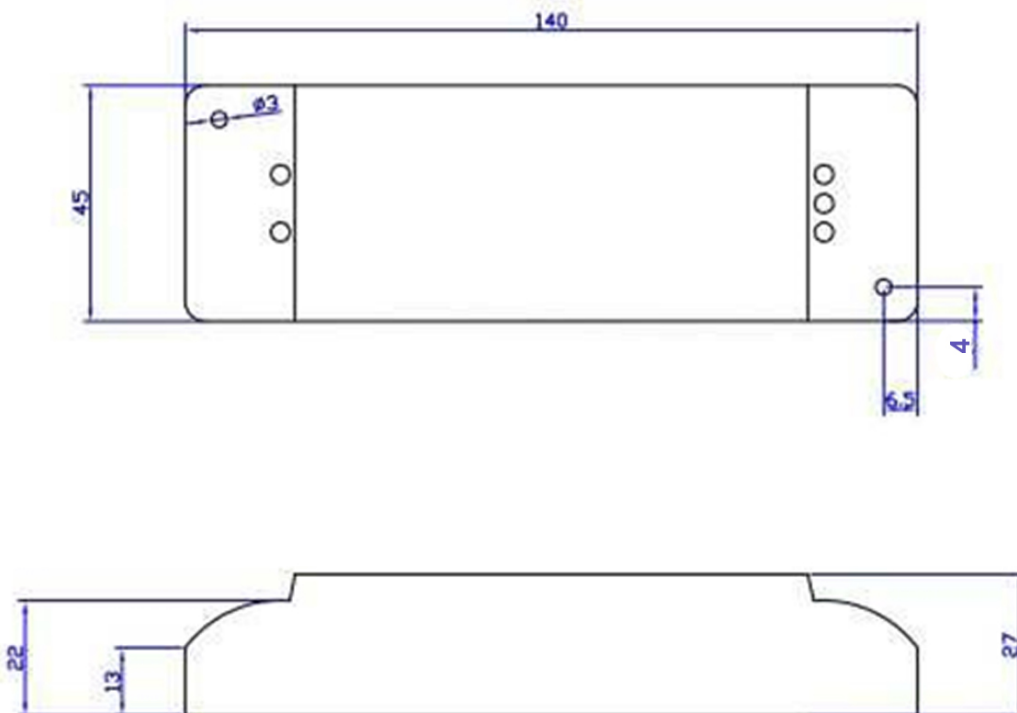


CE    IP20 SELV

Model		ELED-20-250/700D							
Output	Rated Current	700mA	600mA	550mA	500mA	450mA	400mA	350mA	250mA
	Current Tolerance	+3%							
	DC Voltage	3-28V	3-32V	3-36V	3-40V	3-45V	3-50V	3-50V	3-50V
	Rated Power	20W	20W	20W	20W	20W	20W	17.5W	12.5W
Input	Rated Input Voltage	100-265 VAC							
	Rated Frequency	47~63HZ							
	Power Factor (Typ.)	0.94	0.94	0.94	0.94	0.94	0.94	0.93	0.92
	Full Load Efficiency	85%	85%	85%	86%	86%	86%	86%	86%
	AC Current	0.12A	0.12A	0.12A	0.12A	0.12A	0.12A	0.12A	0.12A
	Leakage Current	<0.70mA/220VAC							
Protection	Short Circuit	Protection type: Hiccup mode, Recovers automatically after fault condition is removed							
	Over Current	≅ 1.4*Iout							
	Over Load	≅ 120%							
	Protection	II							
Environment	Working TEMP	-40 ~ +60°C							
	Working Humidity	20~95%RH, non-condensing							
	Storage TEM Humidity	-40~+80°C, 10~95%RH							
	TEMP Coefficient	±0.03%/°C (0~50°C)							
	Vibration	10~500Hz, 5G 12							

Safety & EMC	Safety standards	EN61347-1 EN61347-2-13 IP20
	Withstand voltage	I/P-O/P:3.75KVAC
	Isolation resistance	I/P-O/P: 100MΩ/500VDC/25°C/70%RH
	EMC EMISSION	Compliance to EN55015, EN61000-3-2,3 (≥ 50%load)
	EMC IMMUNITY	Compliance to EN61000-4-2,3,4,5,6,11, EN61547, A light industry level (surge 4KV)
Others	Weight	0.19Kg
	Size	140*45*28mm (L*W*H)
	packing	320*280*215 (50PCS/CTN)      145*47*35 mm for inner box
Notes	<ol style="list-style-type: none"> <li>1. All parameters NOT specially mentioned are measured at 220VAC input, rated load and 25°C of ambient temperature.</li> <li>2. Tolerance: includes set up tolerance, line regulation and load regulation.</li> <li>3. The power supply is considered as a component that will be operated in combination with final Equipment. Since EMC performance will be affected by the complete installation, the final equipment manufactures must be-qualify EMC Directive on the complete installation again</li> <li>4. Loading range 70% to 100%.</li> </ol>	

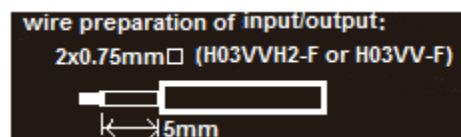
### ■ Mechanical Specification



■ **Label**



- ※ Input with Live Wire(L) Neutral Wire (N)
- ※ Output LED SEC output Positive(LED+),output negative(LED-).Connected to LED Lamps.
- ※ Signal Dimming (DA1) , (DA2) DALI Non polar! Connected to the BUS of the DALI Master.
- \* When installing the LED driver and making input and output connections, cross-section area of conductor for input and output terminal block:0.75mm<sup>2</sup>(cord type: H03VVH2-F or H03VV-F).

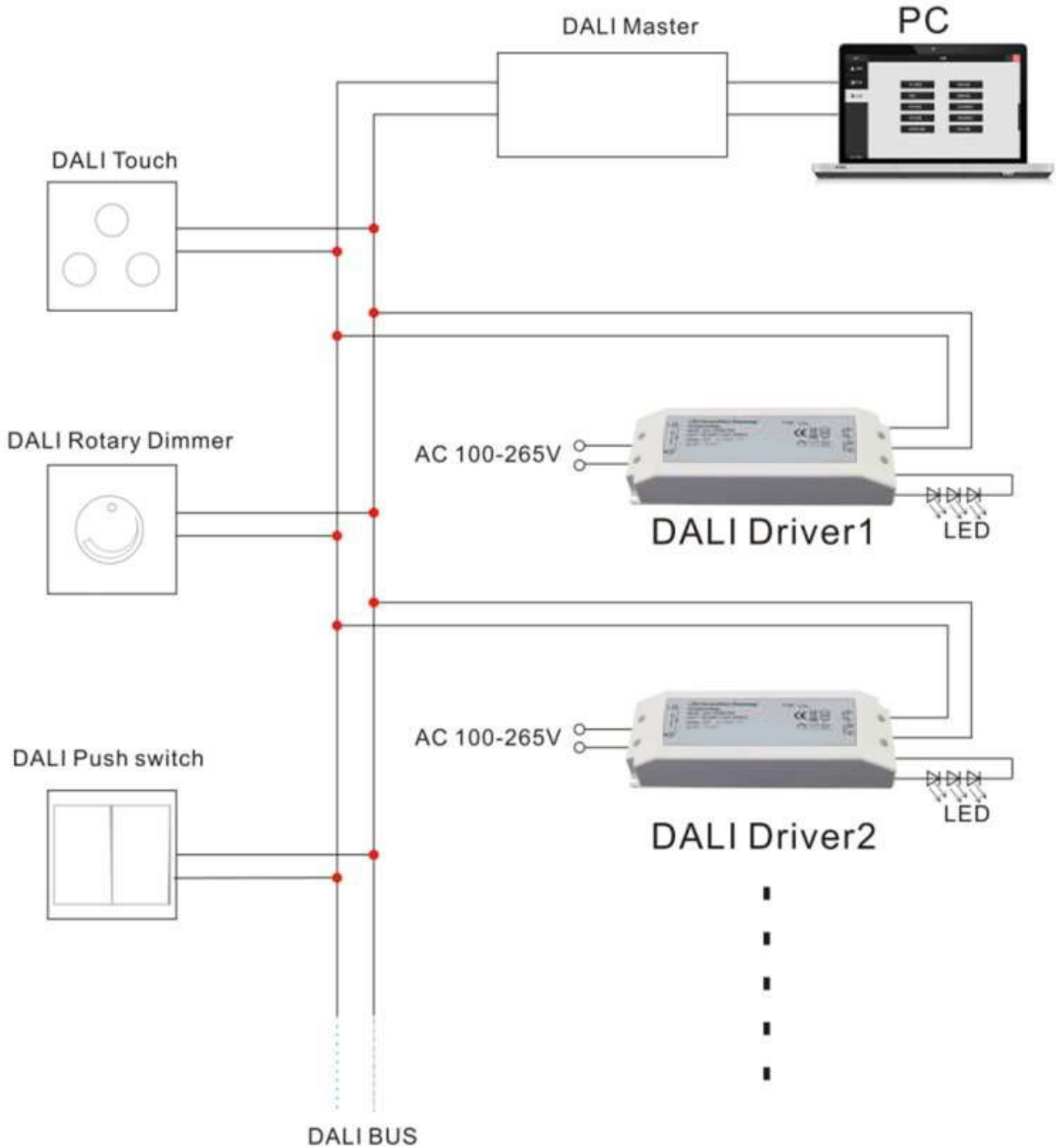


- ※※ Please make sure you connect these correctly otherwise your product will not function correctly and could be damaged.
- ※※ Note: Any other requests we can customized.

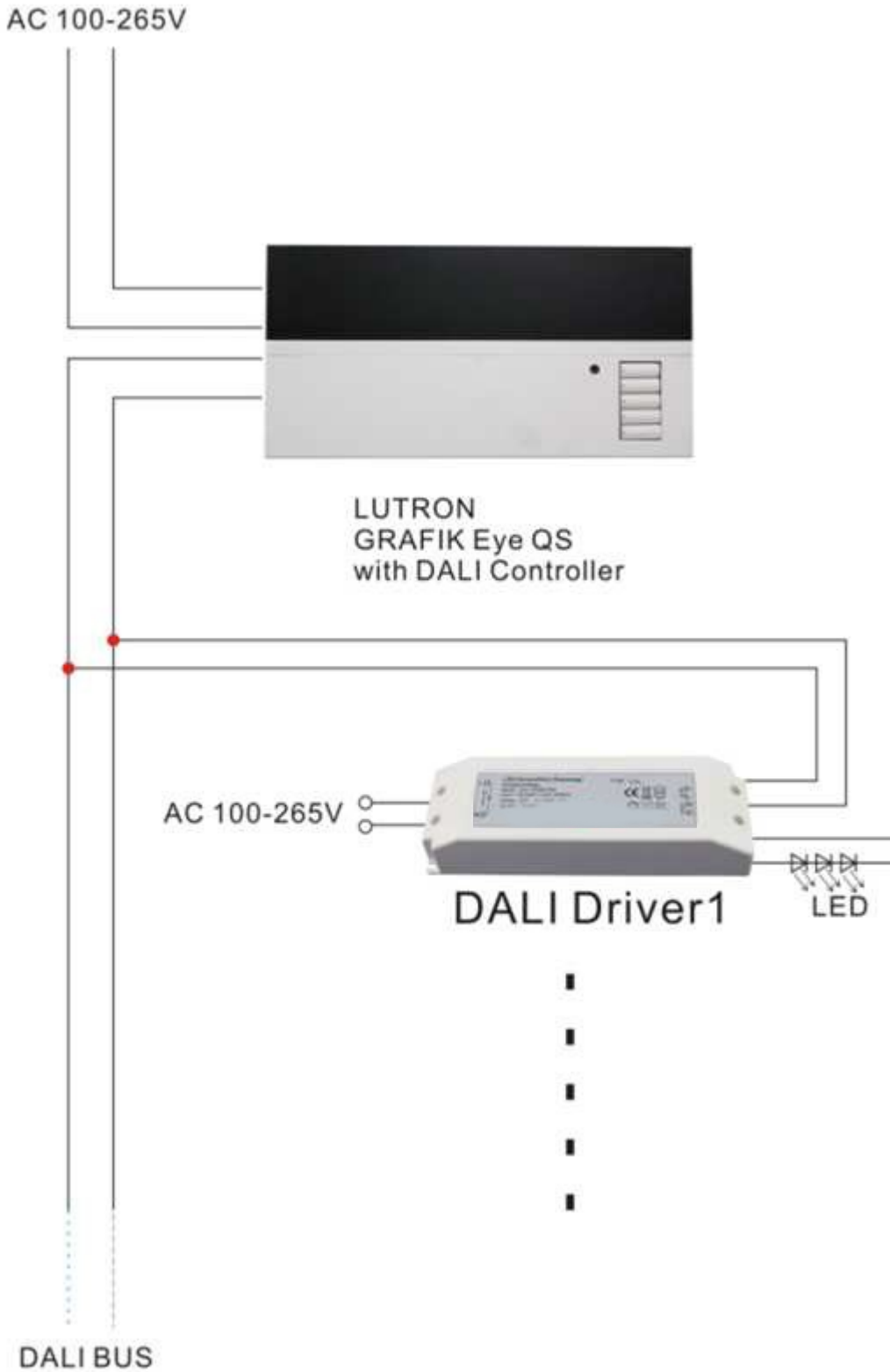
■ **Dimming Operation**

- ※※ Connect the Dali signal line to the Dali bus of the controller (the Dali Master).
- After Dali Master scanning and address assignment, the driver can be successfully dimmed.
- Please refer to Diagram 1
- ※※ Notice:In the market, some DALI controllers has bus-powered functions .If not,please add an extra power supply.(DALI Power).
- ※※ Any incorrect connecting of signal line and output line would damage the master.

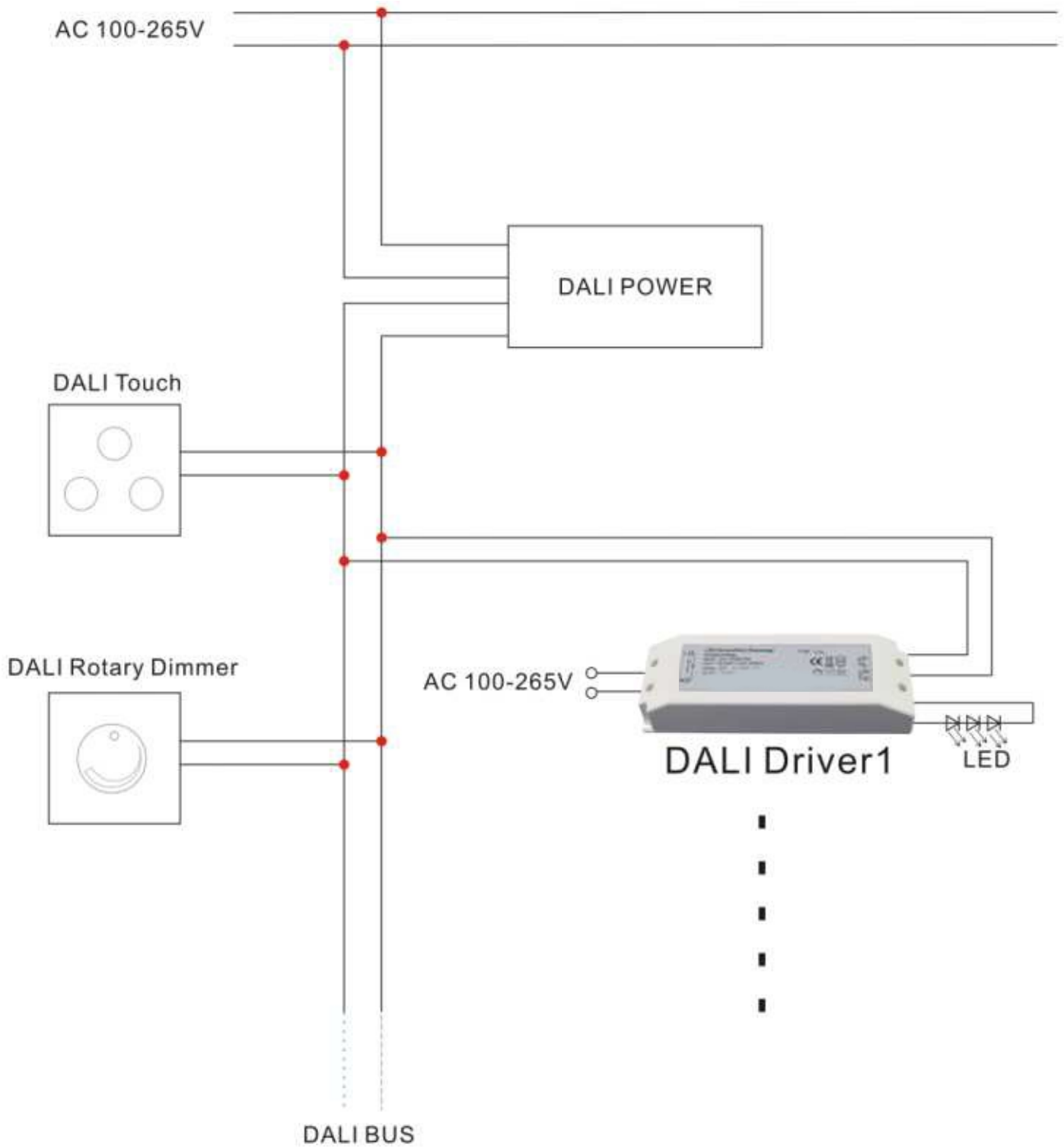
■ Operation Reference No.1:



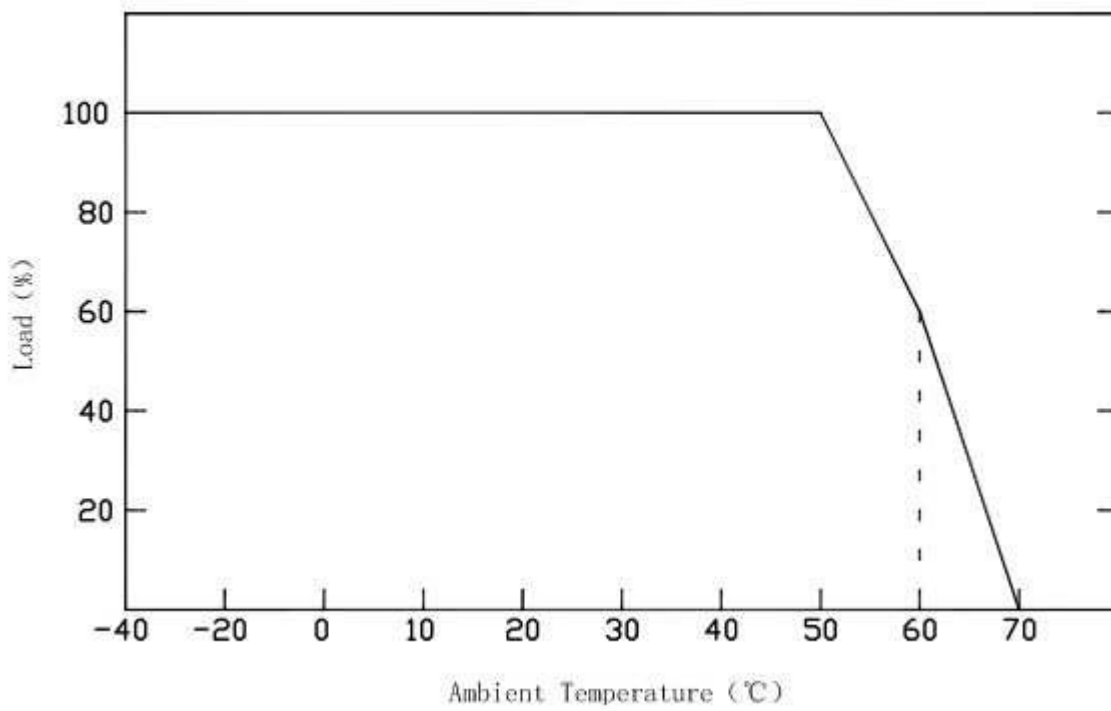
■ **Operation Reference No.2:**



■ Operation Reference No.3:



■ Derating Curve



⚠ To extend their life, please refer to the Derating Curve and derate according to the temperature.